

020-2616-XX, 020-2719-XX  
(Chipcool 1&2) for  
TMSMPH1/2/3/4 probe heads.

**020-2719-XX Chipcool 1&2  
020-2616-XX Chipcool 1&2  
020-2617-XX Desktop  
020-2618-XX Cooler Master  
Heat Sink Hardware  
Installation Instructions**

www.tektronix.com

075-0918-00



**Kit Contents**

- Attaching hardware kits
- Instruction sheet

**Tools Required**

- Phillips (P1) screwdriver to tighten the screws
- Flathead screw driver to lock the ZIF socket
- Optional: A torque wrench helps to ensure reliable connections by meeting the nominal torque values. When attaching screws use 2 in-lbs (0.226 N \* m) of torque.

**Overview**

Use this instruction sheet to install the heat sink hardware. Refer to the support instruction manual that came with the probe adapter to connect the probe head to the logic analyzer.

*Only qualified personnel should perform these procedures.*

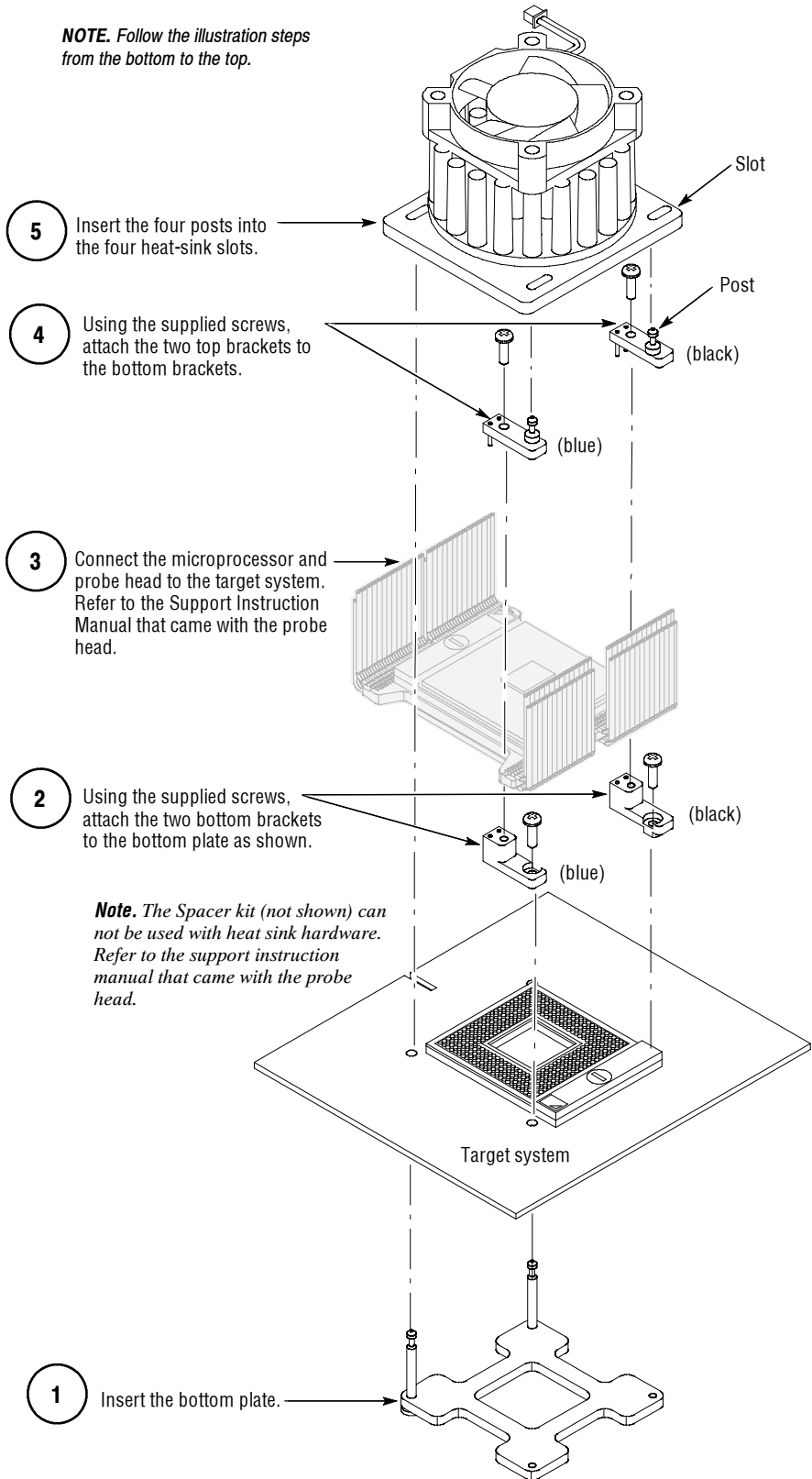
**CAUTION.** To prevent damage to the probe-head pins, carefully align the pin layout with the probe-head pins before installing the probe head.

**Procedure**

You must remove the heat sink and retention brackets before installing the probe head.

To install the heat sink hardware, follow the steps in the illustration that apply to the probe head and heat sink hardware.

**NOTE.** Follow the illustration steps from the bottom to the top.



**Note.** The Spacer kit (not shown) can not be used with heat sink hardware. Refer to the support instruction manual that came with the probe head.

**Table 1: 020-2616-XX Replaceable parts list**

Description	Tektronix part number
ACCESSORY KIT; CHIPCOOL 1&2 HEATSINK, JEWEL CASE & HEAT SINK PARTS;TMSMPH1/2/3/4	020-2719-XX, 020-2616-XX
4 SCREWS	211-3008-XX
2 TOP BRACKETS	407-5035-XX (BLACK) 407-5036-XX (BLUE)
2 BOTTOM BRACKETS	407-5037-XX (BLACK) 407-5038-XX (BLUE)
1 BOTTOM PLATE	386-7440-XX

**Table 2: 020-2617-XX Replaceable parts list**

Description	Tektronix part number
ACCESSORY KIT; DESKTOP HEATSINK ATTACH, JEWEL CASE & HEAT SINK PARTS;TMSMPH2/3	020-2617-XX
8 SCREWS, SOCKET CAP	212-0236-XX
4 STANDOFFS	129-1620-XX

**Table 3: 020-2618-XX Replaceable parts list**

Description	Tektronix part number
HEATSINK KIT; COOLER MASTER HEATSINK ATTACH, JEWEL CASE & HEAT SINK PARTS; TMSMPH3	020-2618-XX
2 STAND-OFF POSTS	355-0305-XX
4 SCREWS, PAN HEAD	211-0888-XX
2 UPPER BRACKET	407-5080-XX (GREEN) 407-5081-XX (RED)
2 LOWER BRACKET	407-5078-XX (GREEN) 407-5079-XX (RED)
1 COPPER SPACER	361-1825-XX

**Warranty Information**

For warranty information, go to [www.tektronix.com](http://www.tektronix.com), click Support, and then use the provided links to search for the warranty for your product.

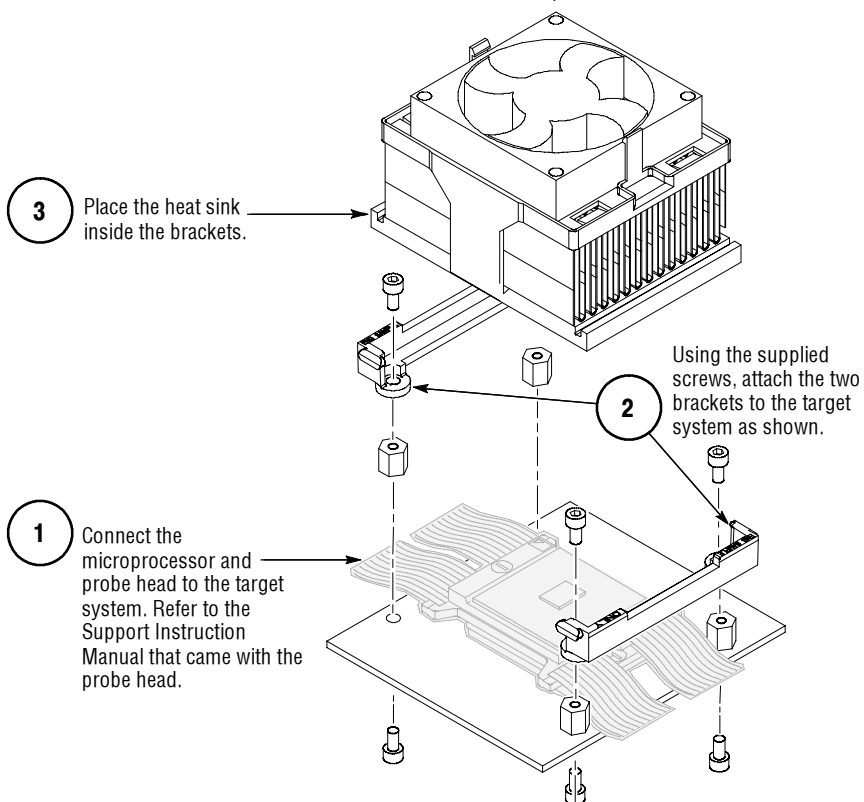
**Contacting Tektronix**

Tektronix, Inc.  
14200 SW Karl Braun Drive  
PO Box 500  
Beaverton, OR 97077  
USA

For product information, sales, service, and technical support:

- In North America, call 1-800-833-9200.
- Worldwide, visit [www.tektronix.com](http://www.tektronix.com) to find contacts in your area.

**020-2617-XX (Desktop) for TMSMPH/2/3 probe heads.**



**020-2618-XX (Cooler Master) for TMSMPH3 probe head.**

